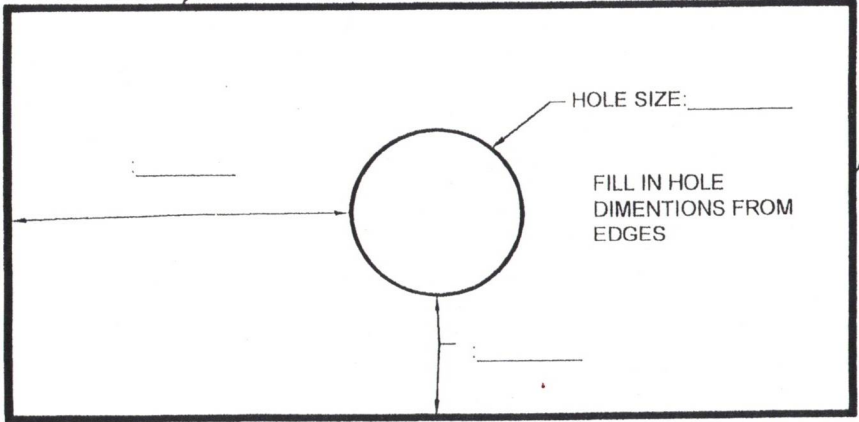
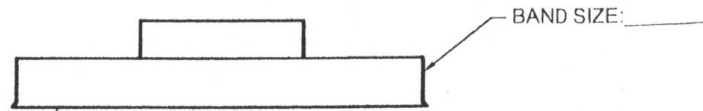
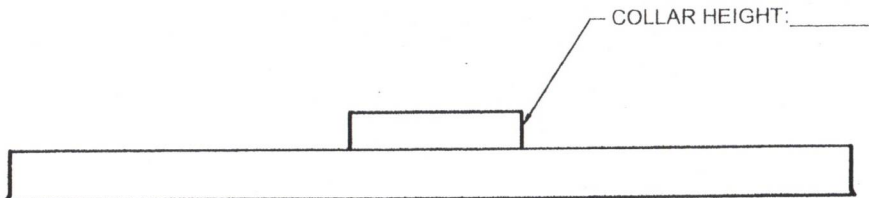
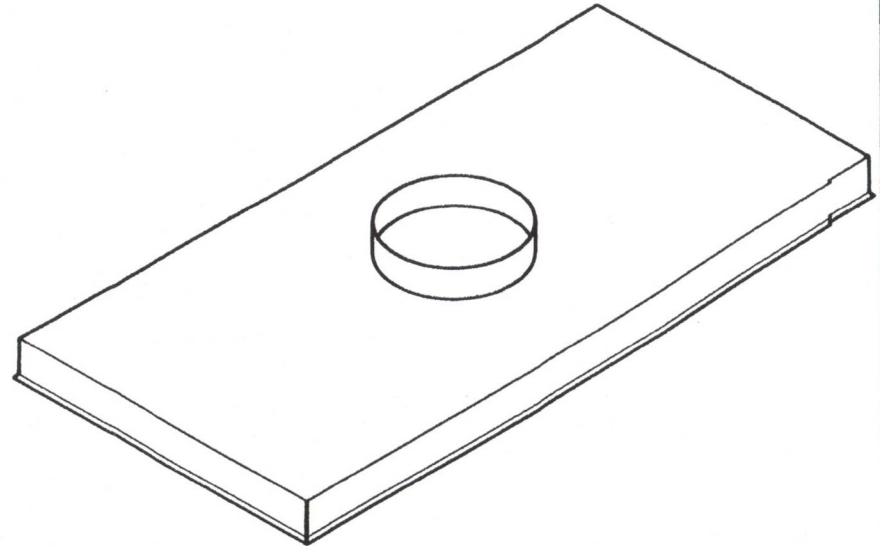


CUSTOMER: \_\_\_\_\_  
 P.O. \_\_\_\_\_  
 DATE: \_\_\_\_\_  
 DATE NEEDED: \_\_\_\_\_  
 PHONE: \_\_\_\_\_

ADDRESS: \_\_\_\_\_  
 \_\_\_\_\_  
 \_\_\_\_\_

1 STORY                      TERM CAP CONDITION:  
 2 STORY                      GOOD  
 3 STORY                      BAD

WITH SHROUD      WITHOUT SHROUD



MATERIAL	COLOR		
S.S			
GALV			
GALVALUM			
ALUM			
SPECIAL INSTRUCTIONS			



PROJECT  
**KLING FABRICATION**

TITLE  
**CHASE PAN**

APPROVED	SIZE	CODE	DWG NO	REV
CHECKED	B			
DRAWN	russell klingensmith 8/21/2021		SCALE 1:10	WEIGHT
			SHEET 1/1	

